

Data sheet

IMB - ci8

Doc.-No. : D2MF122 092

Rev. : 07/10



Messtechnik GmbH & Co. KG

The IMBus module *IMB-ci8* serves to read in digital inputs on controlling tasks. Eight corresponding inputs are made available at the module's two connecting strips. Each input has its own status indicator.

All inputs feature galvanic separation via optoelectronic couplers and are compatible to PLC optocoupler inputs. They can be operated in a wide voltage range. The connections are made by plug-able terminal strips. The module's width is 75 mm. The module can optionally be mounted to a rail mount (NS35/7,5 EN60715).



Art.-No. F122 092

Illustration with connector

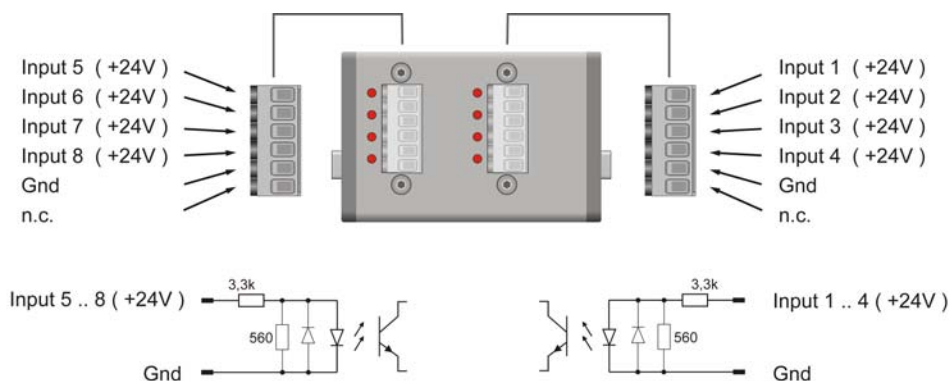
Technical data

Electrical characteristics

Isolation voltage	2000 V
Nominal input voltage	24 V DC
Input voltage signal "High"	13 V ... 30 V
Input voltage signal "Low"	-30 V ... +5 V
Input current signal "High"	typ. 7 mA
Connection of 2-wire-BEROS is possible	max. quiescent current 1.5 mA
IMBus current consumption	< 35 mA

Typical values at an ambient temperature of 25°C

Wiring diagram



!!! Note : Basically, use shielded connection cables only in order to connect input / output devices to the module. Doing so, the cables shielding shall be connected to the „Gnd“ terminal of the IMBus - module only. Connect the shielding at this end of the cable only !